



# Daffodil International University

Faculty of Science & Information Technology  
Department of Computer Science and Engineering  
Midterm Examination, Fall-2024

Course Code: CSE121, Course Title: Electrical Circuits

Level: 1 Term: 2 Batch: 66

Time: 1 Hour and 30 Minutes

Marks: 25

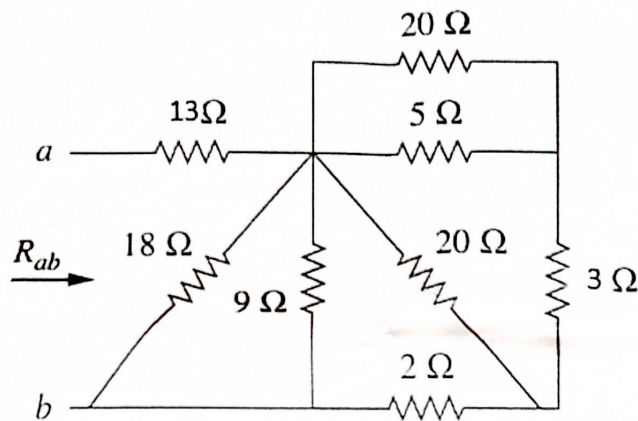
### Answer ALL Questions

*[The figures in the right margin indicate the full marks and corresponding course outcomes. All portions of each question must be answered sequentially.]*

1.	a)	Define the term 'Branch' in an electric circuit.	5×1=5	CO1
	b)	List the factors that affect the resistance of a conductor.		
	c)	Illustrate the Thevenin equivalent circuit.		
	d)	Recall Kirchhoff's Voltage Law.		
	e)	Show the 'Node and Loop' in an electric circuit.		
2.	a)	<p>Solve the following circuit to determine</p> <p>a. The total resistance <math>R_T</math>.</p> <p>b. The source current <math>I_s</math> and indicate its direction on the circuit.</p> <p>c. The voltage across resistor <math>R_2</math>.</p>	2×5=10	CO2

b) Solve the following circuit to determine the total resistance  $R_{ab}$ .

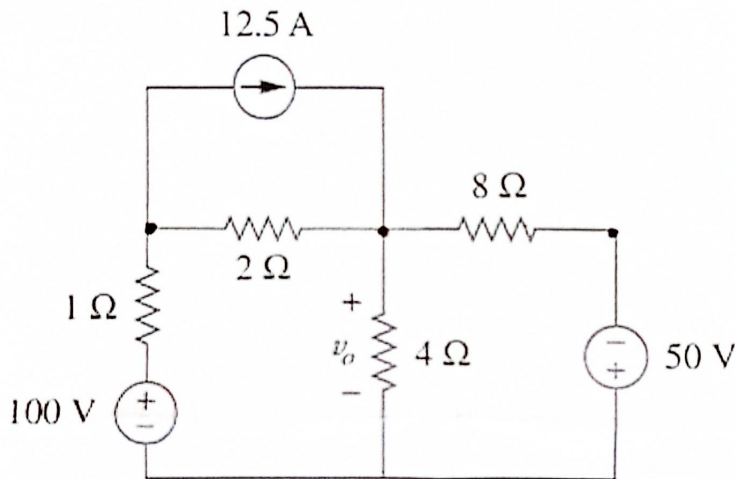
2.40



3/ g) Analyze the following circuit to determine the voltage  $V_0$  using nodal analysis.

2×5=10 CO3

350



b) Examine the following circuit to obtain the Thevenin equivalent at terminals a-b using the Thevenin theorem.

